

NOTES:  
 PL-1 ALL EXPOSED CABINET SURFACES

**MENU HOLDER**  
**MH1411**

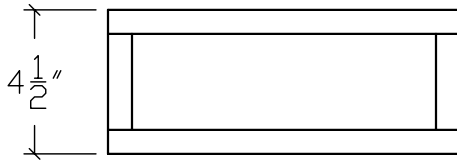
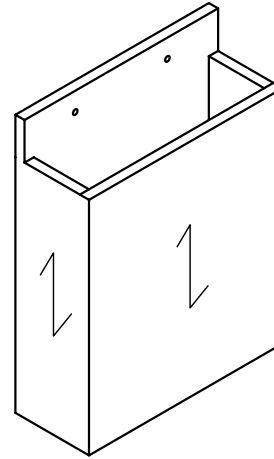
APPROVED BY:

NAME:

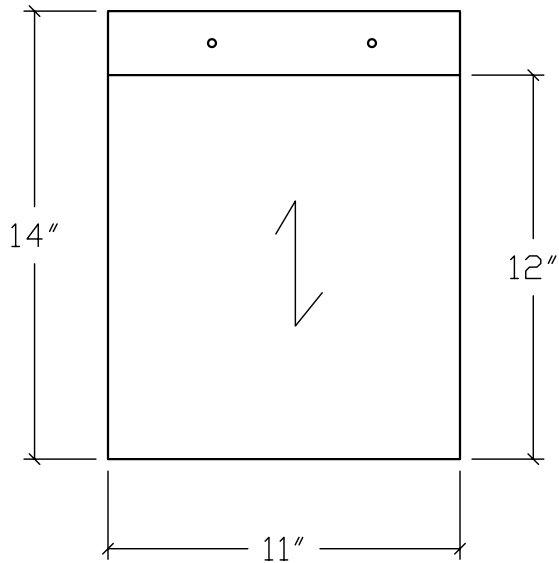
\_\_\_\_\_

DATE:

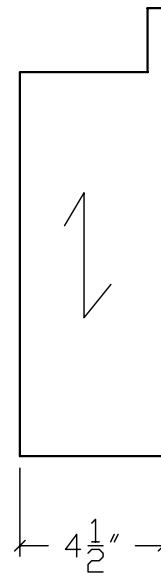
\_\_\_\_\_



PLAN VIEW



ELEVATION



SECTION

FINISH SCHEDULE:

PL-1: SCANDIA MAPLE

HARDWARE SCHEDULE:

**MERRIC**  
**SEATING**  
 4750 East 4th Expressway - Belton, Missouri 63004  
 Phone: (314) 770-9944 / Fax: (314) 770-4440

This document, including all information contained herein, is the exclusive and confidential property of Merric, Inc. The design, reproduction, or alteration of this document without the written permission of Merric, Inc. is prohibited. This document is to be returned promptly to Merric, Inc. after having served the purpose for which delivered.

E: / A: - ENG/CAT/LOG	
PROJECT: OK	PROJECT: OK
REVISED DATE:	REVISED DATE:
DATE:	DATE:

MERRIC CATALOG NUMBER  
**MH1411**

**MENU HOLDER**  
 14" X 11"

**MENU HOLDER  
MH1614**

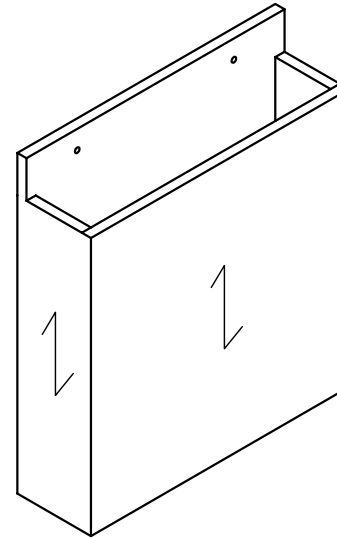
APPROVED BY:

NAME:

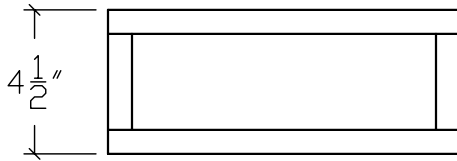
\_\_\_\_\_

DATE:

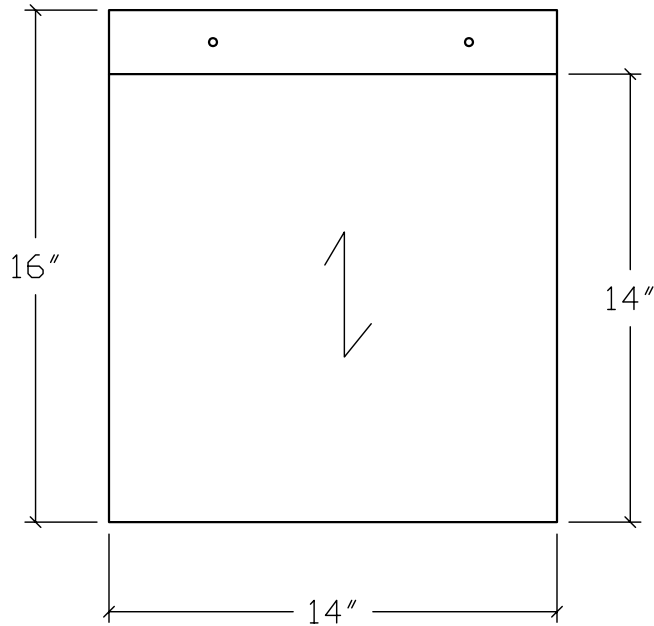
\_\_\_\_\_



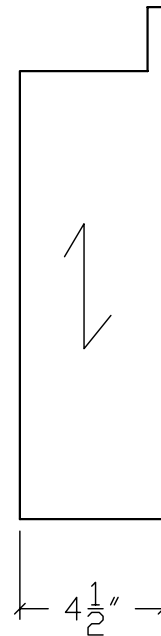
NOTES:  
PL-1 ALL EXPOSED CABINET SURFACES



PLAN VIEW



ELEVATION



SECTION

FINISH SCHEDULE:

PL-1: SCANDIA MAPLE

HARDWARE SCHEDULE:

**MERRIC SEATING**  
4750 East 4th Expressway - Belton, Missouri 63004  
Phone: (314) 770-9944 / Fax: (314) 770-4440

This document, including all information contained herein, is the exclusive and confidential property of Merric, Inc. The design, reproduction, or alteration of this document without the written permission of Merric, Inc. is prohibited. This document is to be returned to Merric, Inc. after having served the purpose for which delivered.

E: / A: - ENG/CAT/LOG	
PROJECT NO.	AP
ISSUE DATE:	
DATE:	
REVISED:	
DATE:	

MERRIC CATALOG NUMBER  
**MH1614**

**MENU HOLDER**  
16" X 14"