

**MERRIC SEATING**  
 4750 East City Expressway - Bridgeton, Missouri 63044  
 Phone: (314) 770-9944 / Fax: (314) 770-4440

This document, including all information contained herein, is the exclusive and confidential property of Merric, Inc. The document and information are not to be copied, reproduced, or delivered to others, in whole or in part, without the prior written consent of Merric, Inc. The document is to be returned promptly to Merric, Inc. after having served the purpose for which delivered.

PROJECT NO.	DATE	SCALE

FJ/AA - ENG/CATALOG  
 MERRIC CATALOG NUMBER  
**IT48-1**

PROJECT NUMBER  
**ICON IT CABINET**  
 24" X 48"

**ICON IT CABINET**  
 IT48-1

APPROVED BY:

NAME: \_\_\_\_\_  
 DATE: \_\_\_\_\_

NOTE:  
 PLYWOOD BASE WITH UNFINISHED TOE KICK

PL-1 ALL EXPOSED CABINET SURFACES

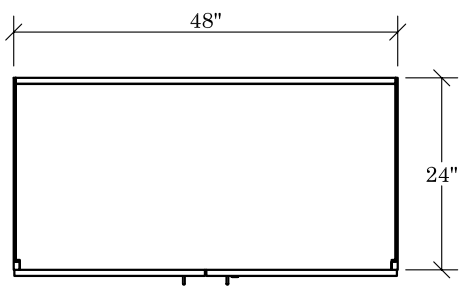
OVERLAY DOORS W/ VENT SLOTS

FIXED SHELVES W/ VENT SLOTS

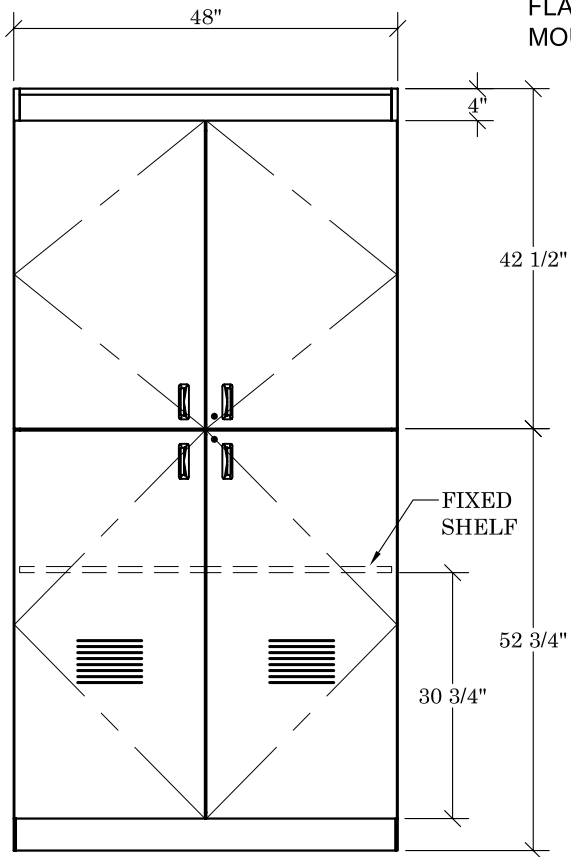
1" LOOSE FILLER AS NEEDED

FINISHED ENDS AS NEEDED

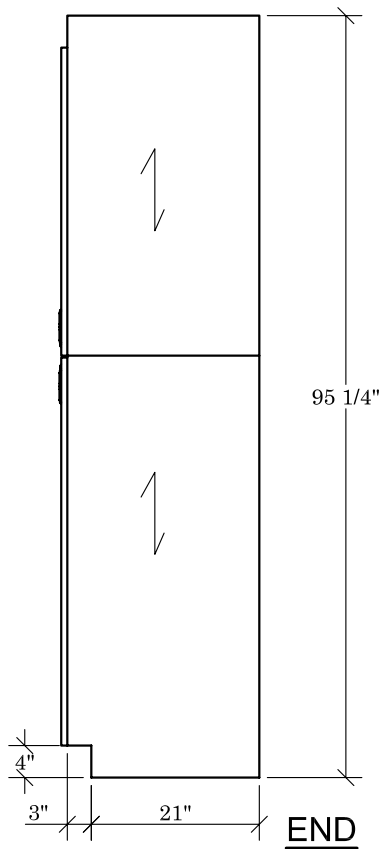
FLAT STOCK CROWN MOULDING FIELD APPLIED



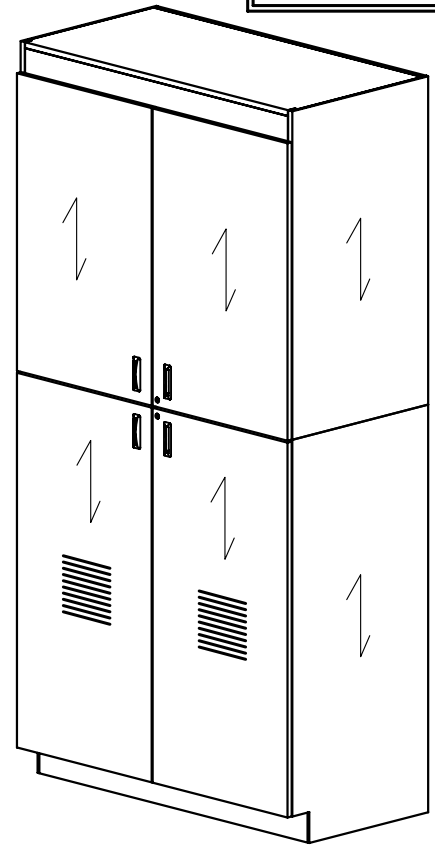
**TOP VIEW**



**ELEVATION**



**END**



<b>FINISH SCHEDULE:</b>
PL-1: SCANDIA MAPLE PLAM
<b>HARDWARE SCHEDULE:</b>
BLUM 120° HINGES
BLUM BASE PLATES
RECESSED PULLS
LINEBORING WITH PINS
FULL EXT. DRAWER GLIDES
DOOR LOCKS

**MERRIC SEATING**  
 4750 Eain City Expressway - Bridgeton, Missouri 63044  
 Phone: (314) 770-9944 / Fax: (314) 770-4440

This document, including all information contained herein, is the exclusive and confidential property of Merric, Inc. The document and information are not to be copied, reproduced, or delivered to others, in whole or in part, without the prior written consent of Merric, Inc. The document is to be returned promptly to Merric, Inc. after having served the purpose for which delivered.

FJ/AA - ENG/CATALOG	
DESIGNED BY:	AGE
PROJECT NUMBER:	24-1949
DATE:	
PAGE 1 of 1	

MERRIC CATALOG NUMBER  
**ST48-1**

ICON STORAGE CABINET  
 24" X 48"

**ICON STORAGE CABINET**  
 ST48-1

APPROVED BY: \_\_\_\_\_

NAME: \_\_\_\_\_

DATE: \_\_\_\_\_

NOTE:  
 PLYWOOD BASE WITH UNFINISHED TOE KICK

PL-1 ALL EXPOSED CABINET SURFACES

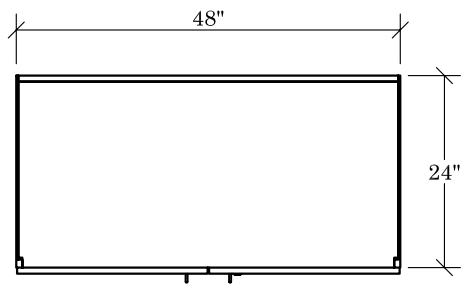
OVERLAY DOORS W/ VENT SLOTS

FIXED SHELVES W/ VENT SLOTS

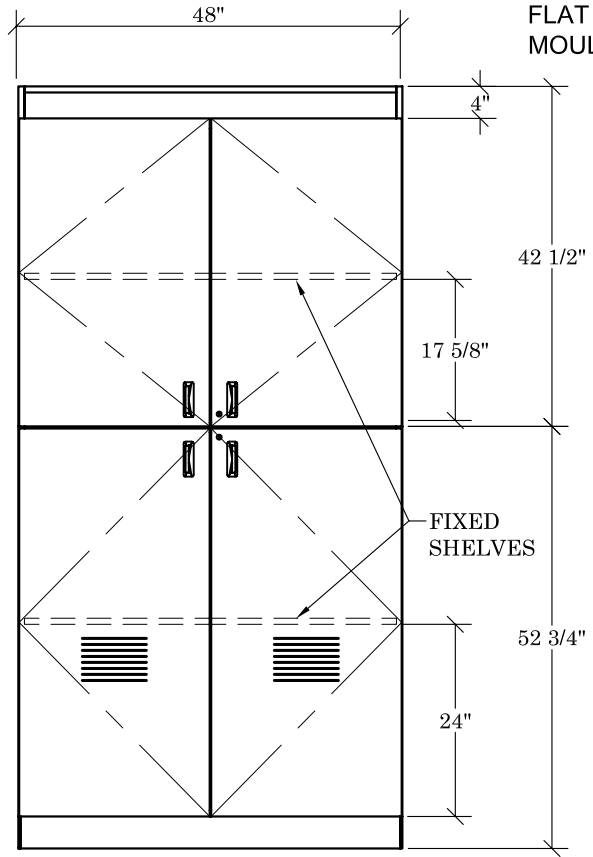
1" LOOSE FILLER AS NEEDED

FINISHED ENDS AS NEEDED

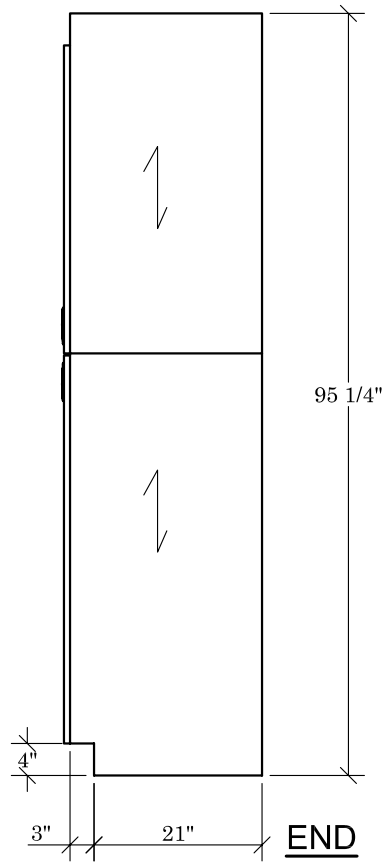
FLAT STOCK CROWN MOULDING FIELD APPLIED



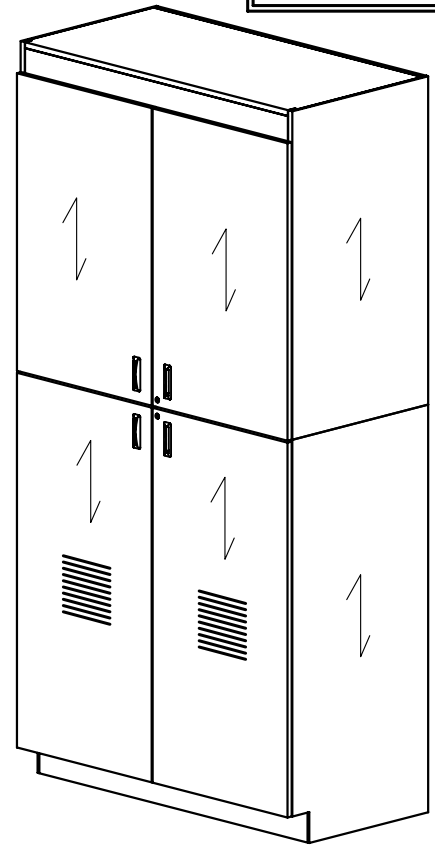
**TOP VIEW**



**ELEVATION**



**END**



<b>FINISH SCHEDULE:</b>
PL-1: SCANDIA MAPLE PLAM
<b>HARDWARE SCHEDULE:</b>
BLUM 120° HINGES
BLUM BASE PLATES
RECESSED PULLS
LINEBORING WITH PINS
FULL EXT. DRAWER GLIDES
DOOR LOCKS