

4790 Earth City Expressway - Bridgeton, Missouri 63044
 Phone: (314) 770-5944 / Fax: (314) 770-9440

MERRIC SEATING

This document, including all information contained herein, is the exclusive and confidential property of Merric, Inc. The design and information are not to be used, copied, reproduced, or otherwise, in whole or in part, without the expressed written permission of Merric, Inc. The document is to be returned promptly to Merric, Inc. after having served the purpose for which delivered.

PROJECT NUMBER	E1/AA-ENG/CAT/LOG
DATE	2-16-09
SCALE	AS SHOWN
REVISIONS	
1 of 1	

MERRIC CATALOG NUMBER
COF1530

PROJECT NAME:
COFFEE STATION
 15" X 30"

NOTE:
 PLYWOOD BASE WITH UNFINISHED TOE KICK

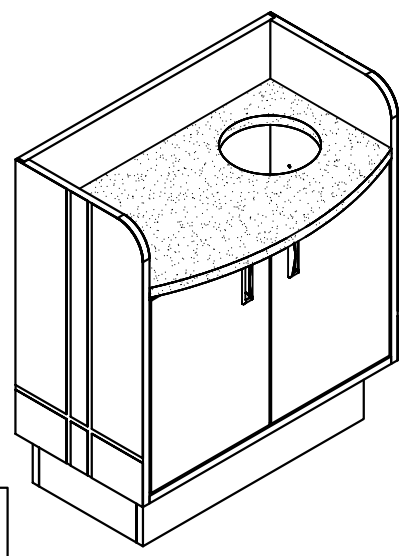
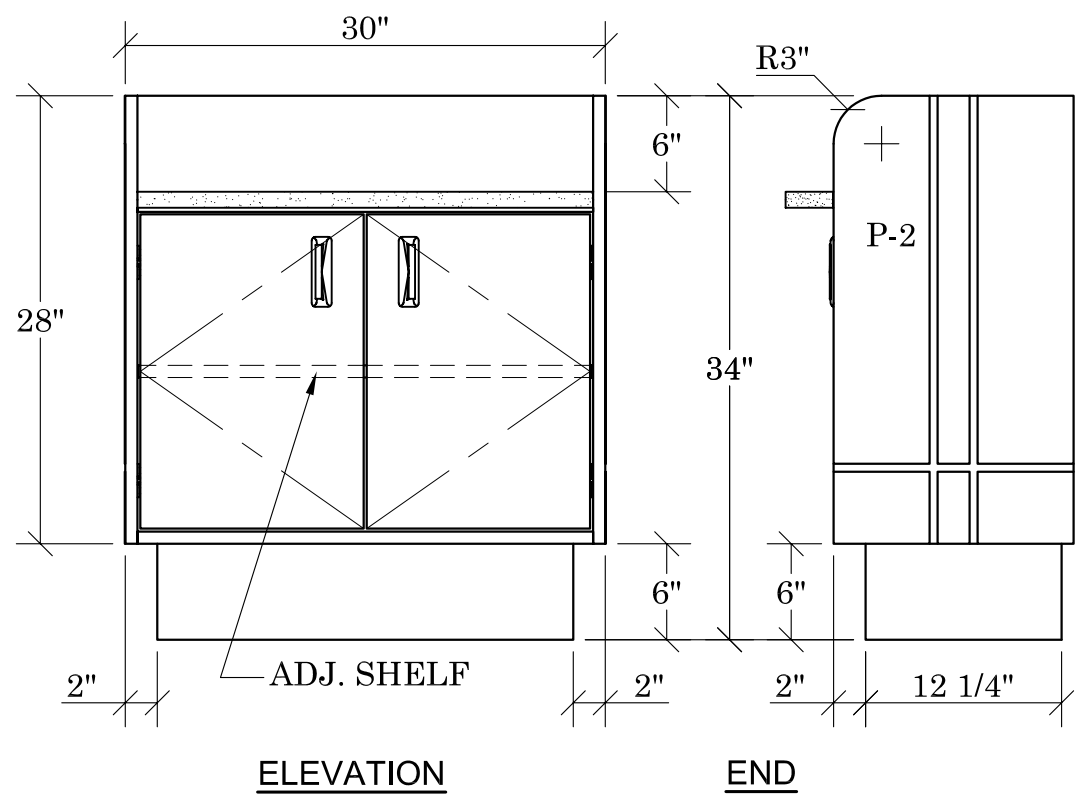
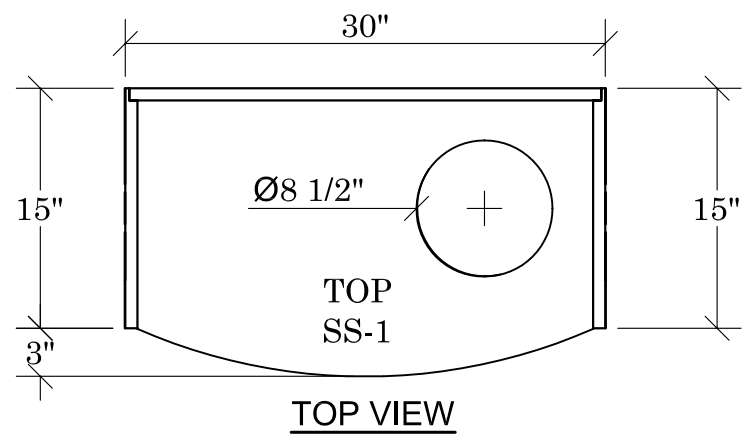
COFFEE STATION

COF1530

APPROVED BY: _____

NAME: _____

DATE: _____



FINISH SCHEDULE: SS-1: SOLID SURFACE (CORIAN AZURE) PL-1: SCANDIA MAPLE PLAM P-2: FRENCH BLUE/SCANDIA MAPLE
HARDWARE SCHEDULE: BLUM 120° HINGES BLUM BASE PLATES RECESSED PULLS LINEBORING WITH PINS FULL EXT. DRAWER GLIDES