

4750 Lehigh City Expressway - Allentown, Missouri 62004
Phone: (314) 770-9344 / Fax: (314) 770-9400

MERRIC SEATING

This document, including all information contained herein, is the exclusive and confidential property of Merric, Inc. The document and information are not to be distributed, copied, or used by any other person, in whole or in part, without the expressed written permission of Merric, Inc. The document is to be returned promptly to Merric, Inc. after having served the purpose for which delivered.

E / I / A - ENG/CAT/LOG	
DATE: A/E	ISSUE: 2-17-09
PROJECT: CND1660	NO. OF SHEETS: 1 of 1

MERRIC CATALOG NUMBER
CND1660

PRODUCT DESCRIPTION:
CONDIMENT STAND
16" X 60"

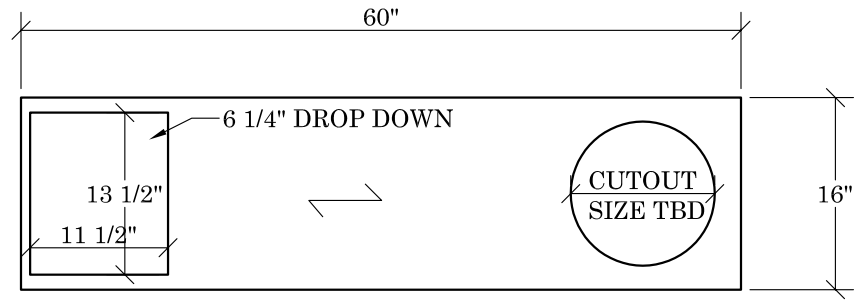
NOTE:
PLYWOOD BASE WITH UNFINISHED TOE KICK

CONDIMENT STAND CND1660

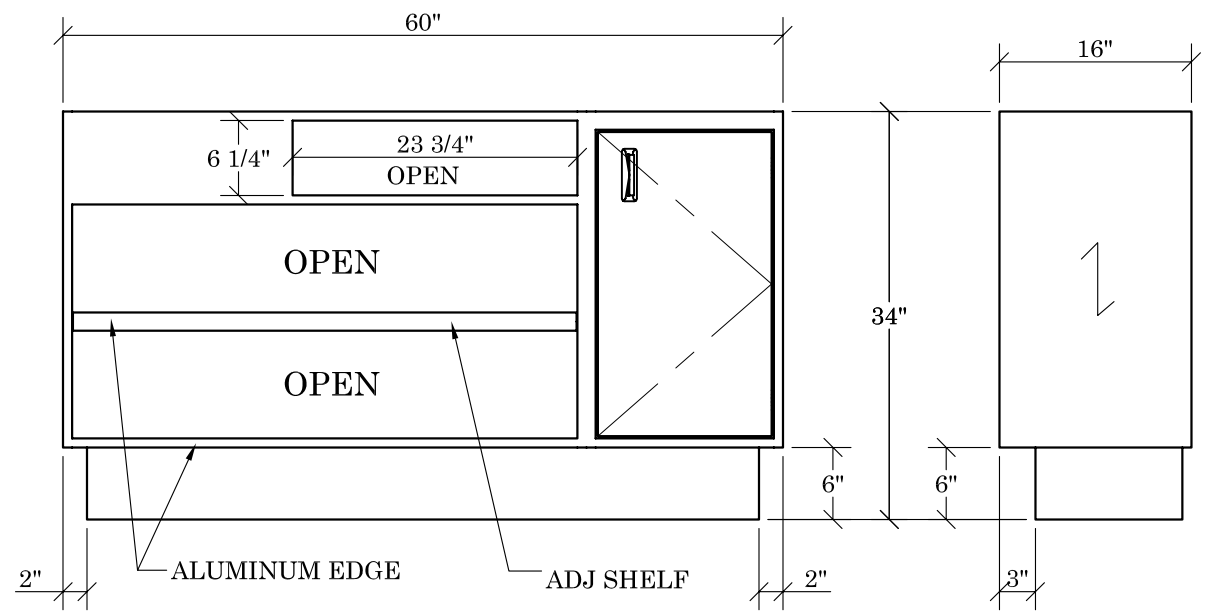
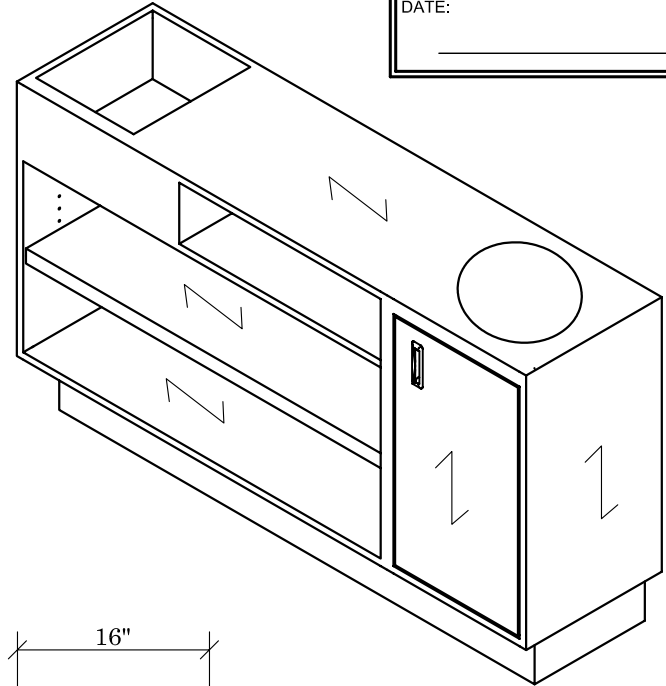
APPROVED BY: _____

NAME: _____

DATE: _____



TOP VIEW



SERVER SIDE

END

FINISH SCHEDULE: PL-1: SCANDIA MAPLE PLAM
HARDWARE SCHEDULE: BLUM 120° HINGES BLUM BASE PLATES RECESSED PULLS LINEBORING WITH PINS