

4750 East 21st Expressway - Brighton, Missouri 63014
 Phone: (314) 795-9444 / Fax: (314) 795-1440

MERRIC SEATING

This document, including all information contained herein, is the exclusive and confidential property of Merric, Inc. The design, drawings, specifications, and other information contained herein are not to be used, copied, or disseminated in any form or by any means without the express written permission of Merric, Inc. The document is to be returned promptly to Merric, Inc. after having served the purpose for which delivered.

DATE	REVISED
AE	2-12-09
PROJECT NO.	16-24301
SCALE	1 of 1

MERRIC CATALOG NUMBER
POS 16-24301

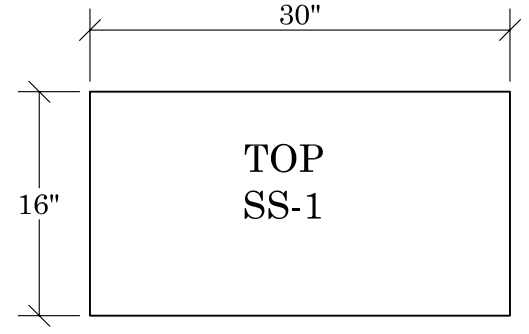
PRODUCT NAME
ICON POS
 PRODUCT DESCRIPTION
24" X 30"

NOTE:
 PLYWOOD BASE WITH UNFINISHED TOE KICK

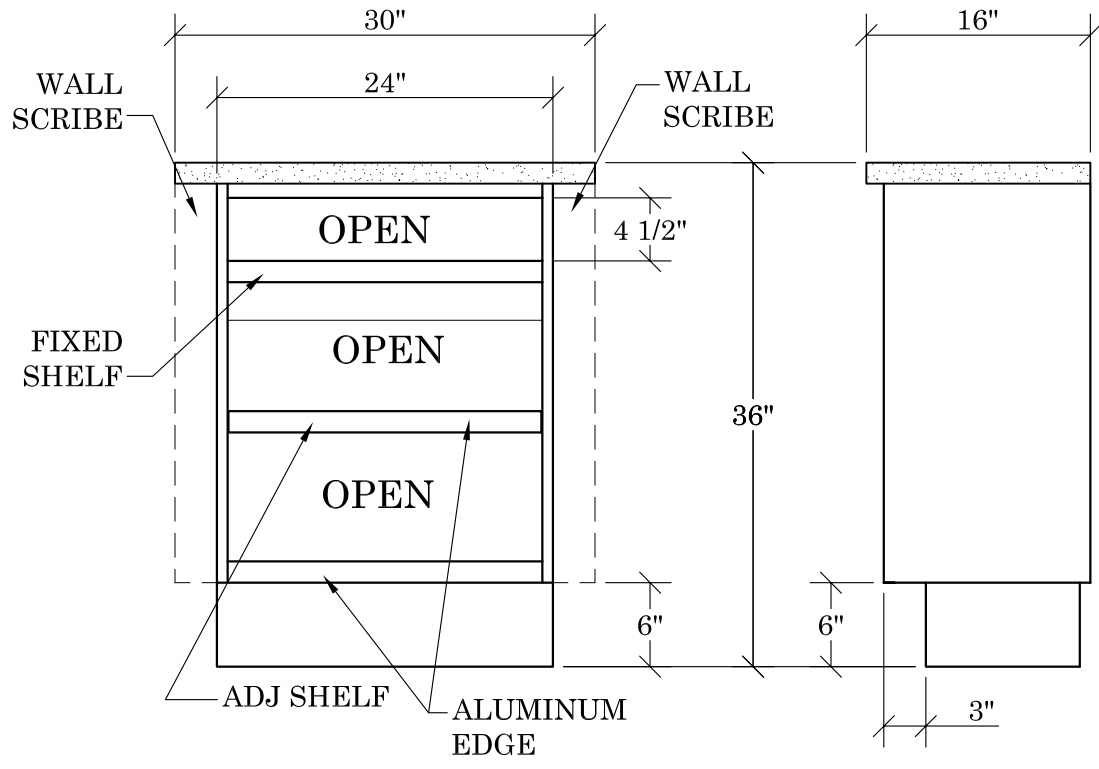
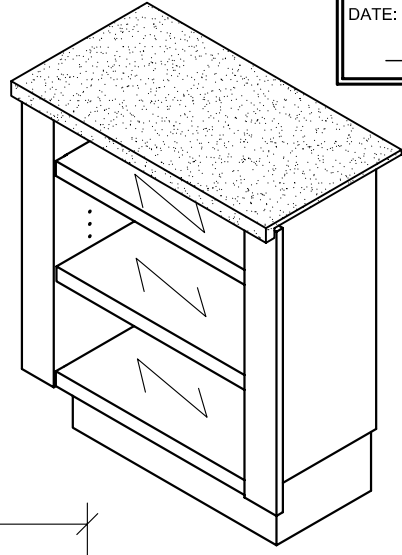
ICON POS
 POS 16-24301

APPROVED BY:

NAME: _____
 DATE: _____



TOP VIEW



ELEVATION

END

FINISH SCHEDULE:
SS-1: SOLID SURFACE (CORIAN AZURE)
PL-1: SCANDIA MAPLE PLAM
HARDWARE SCHEDULE:
LINEBORING WITH PINS

4750 East 21st Expressway - Burlington, Missouri 63004
 Phone: (314) 775-9544 / Fax: (314) 775-1440

MERRIC SEATING

This document, including all information contained herein, is the exclusive and confidential property of Merric, Inc. The drawings and information are not to be used, copied, or reproduced in any form or by any means, in whole or in part, without the express written permission of Merric, Inc. The document is to be returned promptly to Merric, Inc. after having served the purpose for which delivered.

DATE	REVISED DATE	REVISED BY
AE	2-12-09	
DESIGNED BY	PROJECT NUMBER	
		1 of 1

MERRIC CATALOG NUMBER
16-3036ACG

PRODUCT NAME
ACG POS
 PRODUCT DESCRIPTION
30" X 36"

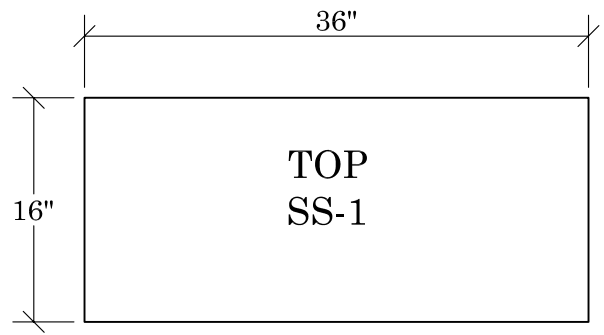
NOTE:
 PLYWOOD BASE WITH UNFINISHED TOE KICK

ACG POS
 POS 16-3036ACG

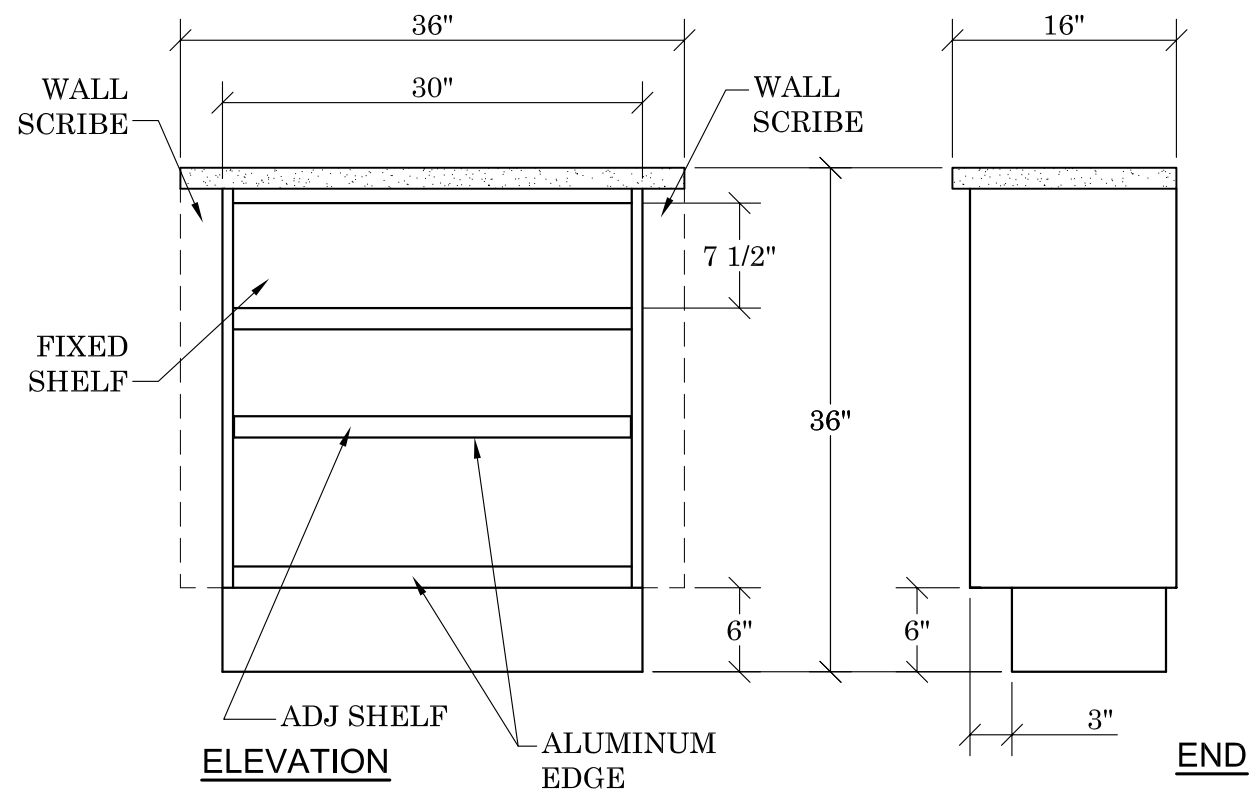
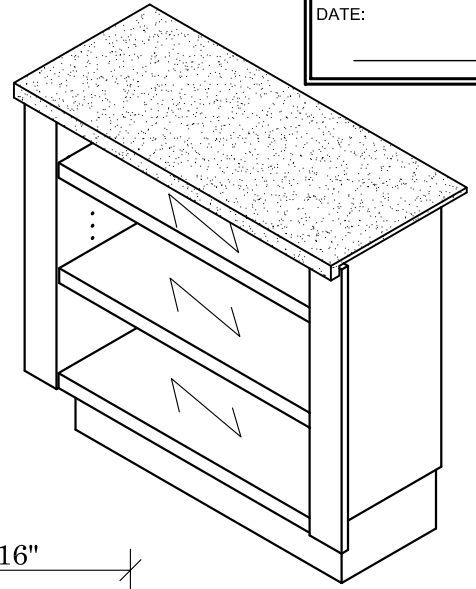
APPROVED BY:

NAME: _____

DATE: _____



TOP VIEW



FINISH SCHEDULE:
SS-1: SOLID SURFACE (CORIAN AZURE)
PL-1: SCANDIA MAPLE PLAM
HARDWARE SCHEDULE:
LINEBORING WITH PINS

4750 East 21st Expressway - Burlington, Missouri 63004
 Phone: (314) 776-5944 / Fax: (314) 776-4400

MERRIC SEATING

This document, including all information contained herein, is the exclusive and confidential property of Merric, Inc. The document and information are not to be reproduced, stored in a retrieval system, or transmitted in any form or by any means, in whole or in part, without the express written permission of Merric, Inc. The document is to be returned promptly to Merric, Inc. after having served the purpose for which delivered.

DATE	REVISED DATE	REVISED BY
AE	2-12-09	
DESIGNED BY	PROJECT NUMBER	
	1 of 1	

MERRIC CATALOG NUMBER
POS 16-30361

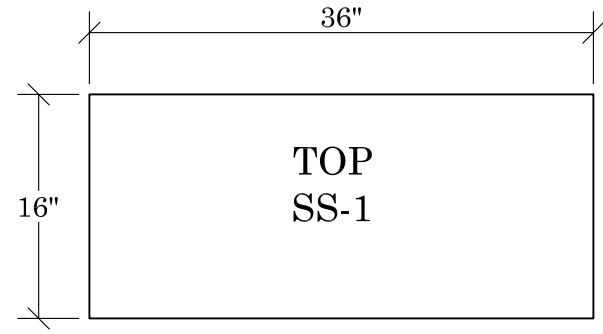
PRODUCT DESCRIPTION
ICON POS
 30" X 36"

NOTE:
 PLYWOOD BASE WITH UNFINISHED TOE KICK

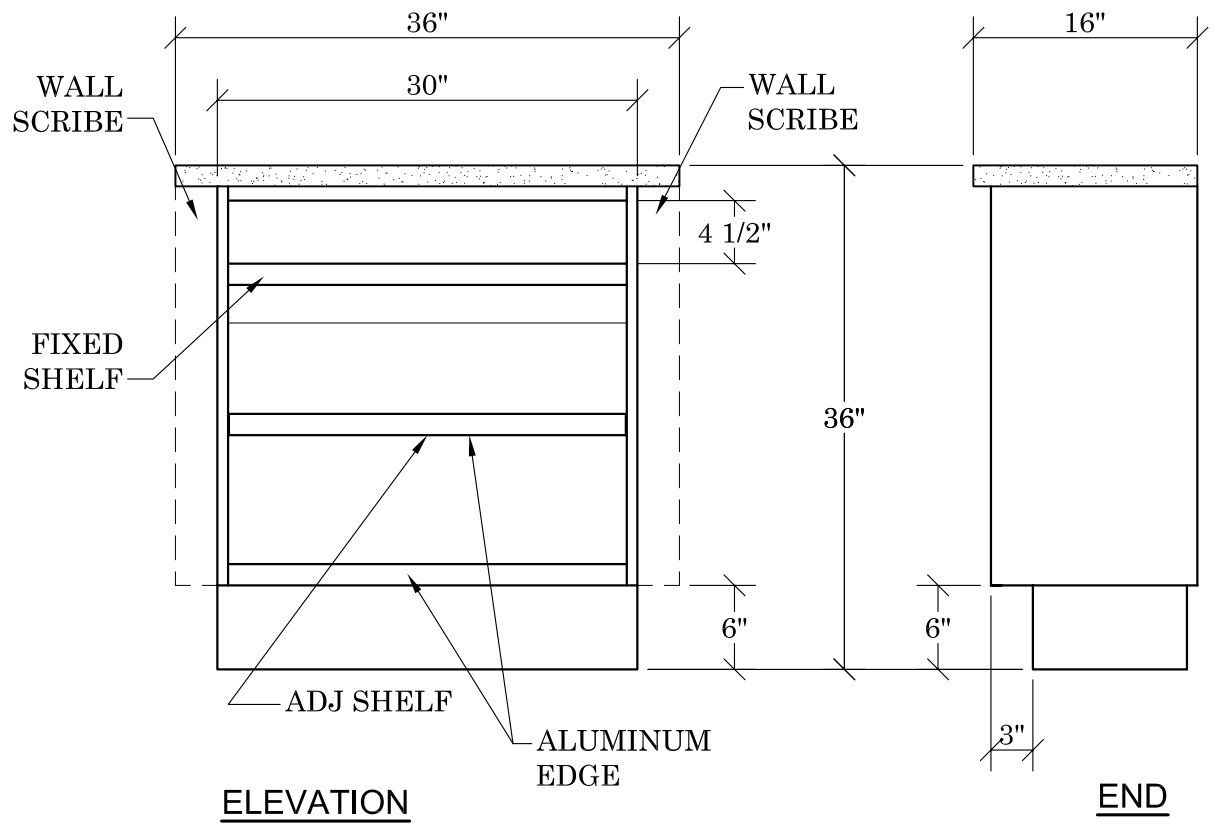
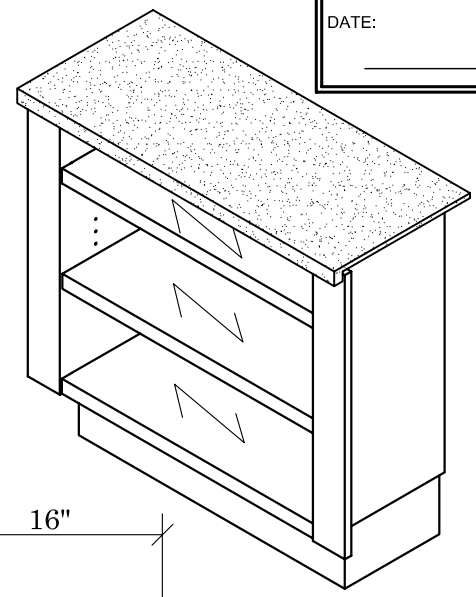
ICON POS
 POS 16-30361

APPROVED BY:

NAME: _____
 DATE: _____



TOP VIEW



FINISH SCHEDULE:
SS-1: SOLID SURFACE (CORIAN AZURE)
PL-1: SCANDIA MAPLE PLAM
HARDWARE SCHEDULE:
LINEBORING WITH PINS

4750 East 21st Expressway - Bridgton, Maine 05044
 Phone: (314) 770-5944 / Fax: (314) 770-1440

MERRIC SEATING

This document, including all information contained herein, is the exclusive and confidential property of Merric, Inc. The design and information are not to be used, copied, or reproduced in any form, in whole or in part, without the express written permission of Merric, Inc. The document is to be returned promptly to Merric, Inc. after having served the purpose for which delivered.

DATE: AF	PROJECT: 2-12-09
DESIGNER: F1/AA-ENG/CAT/LOG	SCALE: 1 of 1

MERRIC CATALOG NUMBER
POS 16-36421

PRODUCT NAME
ICON POS
 PRODUCT DESCRIPTION
36" X 42"

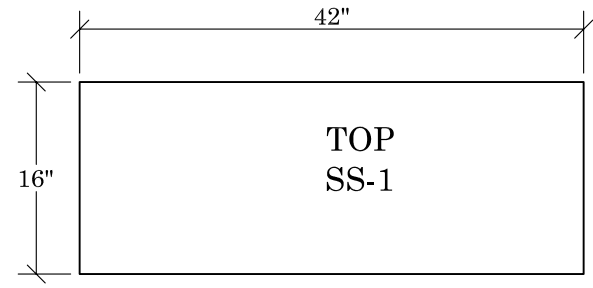
NOTE:
 PLYWOOD BASE WITH UNFINISHED TOE KICK

ICON POS
 POS 16-36421

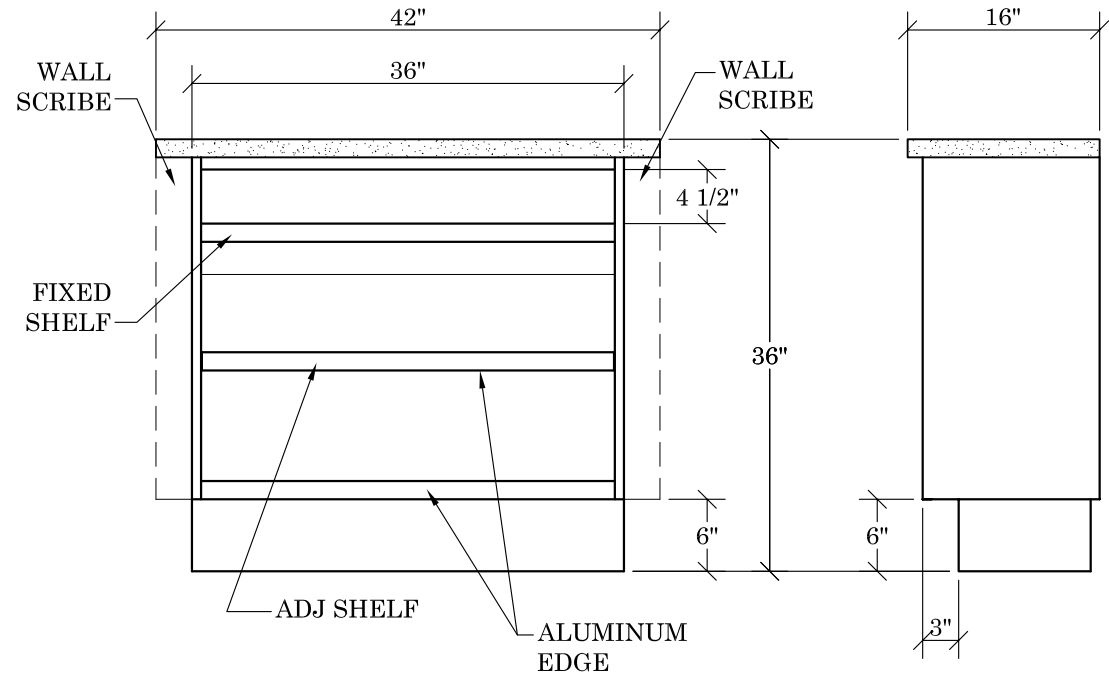
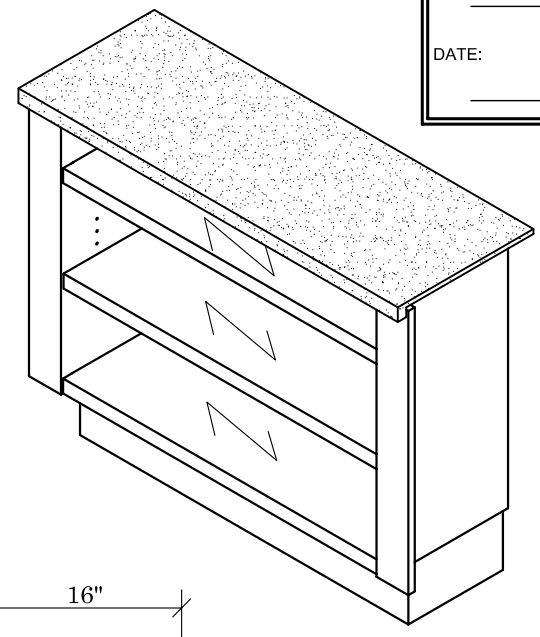
APPROVED BY: _____

NAME: _____

DATE: _____



TOP VIEW



ELEVATION

END

FINISH SCHEDULE:
SS-1: SOLID SURFACE (CORIAN AZURE)
PL-1: SCANDIA MAPLE PLAM
HARDWARE SCHEDULE:
LINEBORING WITH PINS

4750 East 21st Expressway - Bridgeton, Missouri 63044
 Phone: (314) 776-5944 / Fax: (314) 776-4400

MERRIC SEATING

This document, including all information contained herein, is the exclusive and confidential property of Merric, Inc. The design and information are not to be used, copied, or disseminated to any other person, in whole or in part, without the express written permission of Merric, Inc. This document is to be returned promptly to Merric, Inc. after having served the purpose for which delivered.

DATE	REVISED DATE	REVISED BY
AE	2-12-09	
F: / A: - ENG/CATALOG		
1 of 1		

MERRIC CATALOG NUMBER
POS 16-42481

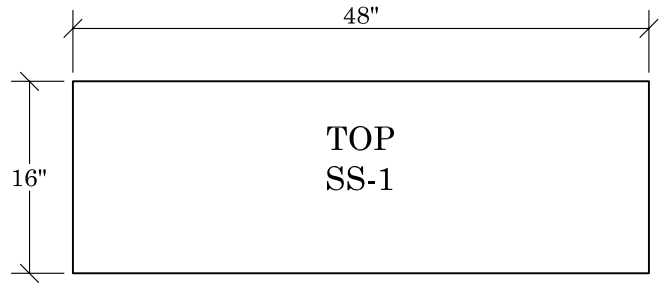
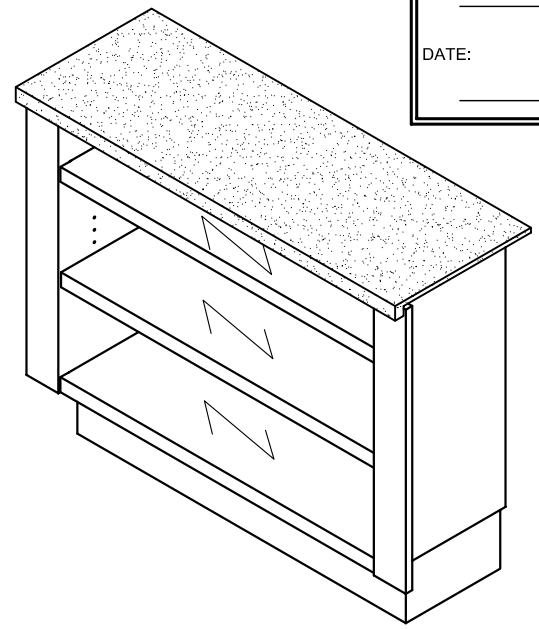
PRODUCT DESCRIPTION
ICON POS
 42" X 48"

NOTE:
 PLYWOOD BASE WITH UNFINISHED TOE KICK

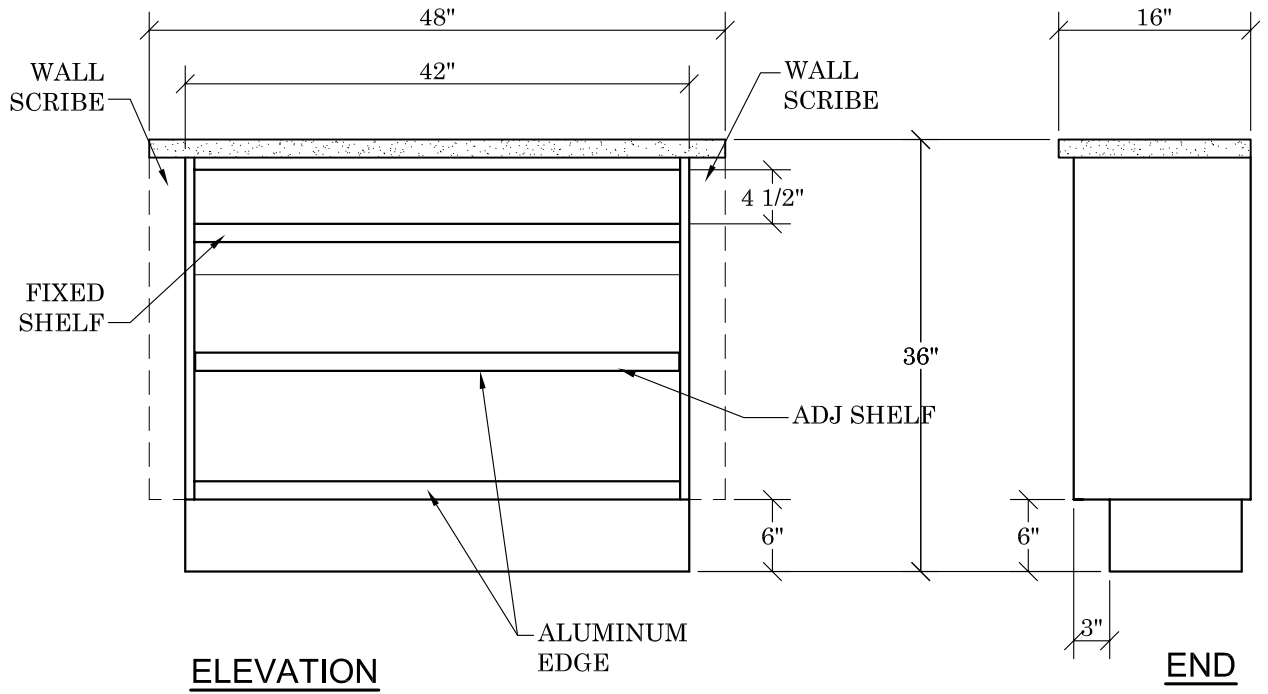
ICON POS
 POS 16-42481

APPROVED BY:

NAME: _____
 DATE: _____



TOP VIEW



ELEVATION

END

FINISH SCHEDULE:

- SS-1: SOLID SURFACE (CORIAN AZURE)
- PL-1: SCANDIA MAPLE PLAM

HARDWARE SCHEDULE:

LINEBORING WITH PINS

4750 East 21st Expressway - Bridgeton, Missouri 63044
 Phone: (314) 770-5944 / Fax: (314) 770-1440

MERRIC SEATING

This document, including all information contained herein, is the exclusive and confidential property of Merric, Inc. The information and drawings are not to be used, copied, or reproduced in any form or by any means, in whole or in part, without the express written permission of Merric, Inc. This document is to be returned promptly to Merric, Inc. after having served the purpose for which delivered.

F: / A: - ENG/CAT/LOG	
DATE: AF	ISSUE: 2-12-09
PROJECT: POS 16-48541	REV: 1 of 1

MERRIC CATALOG NUMBER
POS 16-48541

PRODUCT DESCRIPTION
ICON POS
 48" X 54"

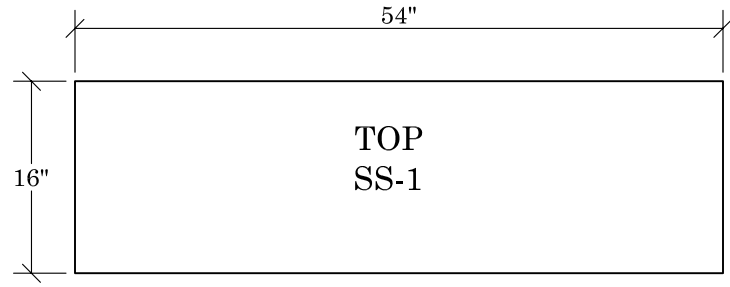
NOTE:
 PLYWOOD BASE WITH UNFINISHED TOE KICK

ICON POS
 POS 16-48541

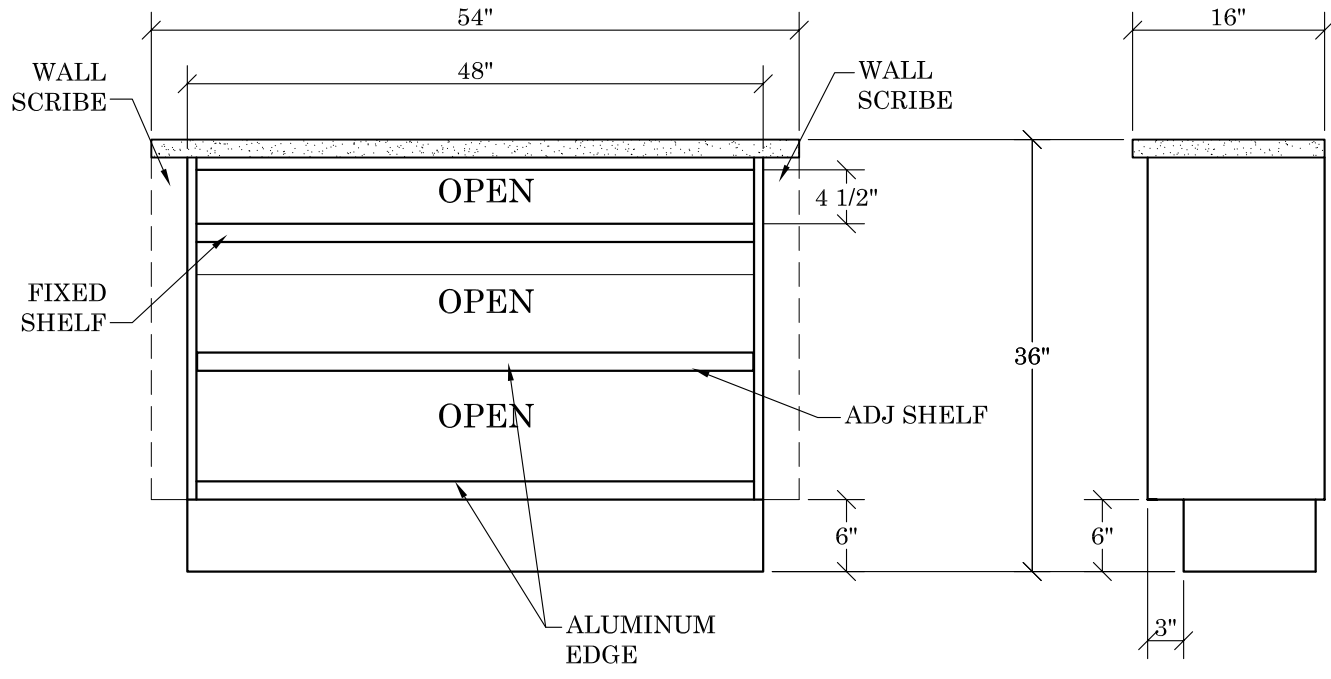
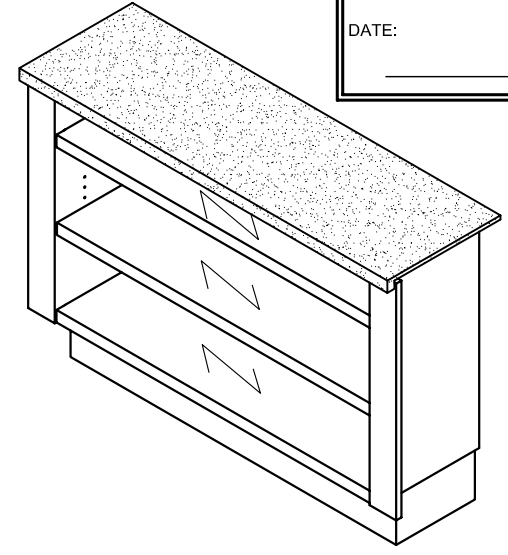
APPROVED BY: _____

NAME: _____

DATE: _____



TOP VIEW



ELEVATION

END

FINISH SCHEDULE:
SS-1: SOLID SURFACE (CORIAN AZURE)
PL-1: SCANDIA MAPLE PLAM
HARDWARE SCHEDULE:
LINEBORING WITH PINS

4750 East 21st Expressway - Bridgeton, Missouri 63044
 Phone: (314) 770-5944 / Fax: (314) 770-1440

MERRIC SEATING

This document, including all information contained herein, is the exclusive and confidential property of Merric, Inc. The document and information are not to be distributed, copied, or used in any way, in whole or in part, without the express written permission of Merric, Inc. The document is to be returned promptly to Merric, Inc. after having served the purpose for which delivered.

F / A - ENGCAT/LOG	
DATE: AF	ISSUE: 2-12-09
PROJECT: POS 16-54601	REV: 1 of 1

MERRIC CATALOG NUMBER
POS 16-54601

PRODUCT DESCRIPTION
ICON POS
 54" X 60"

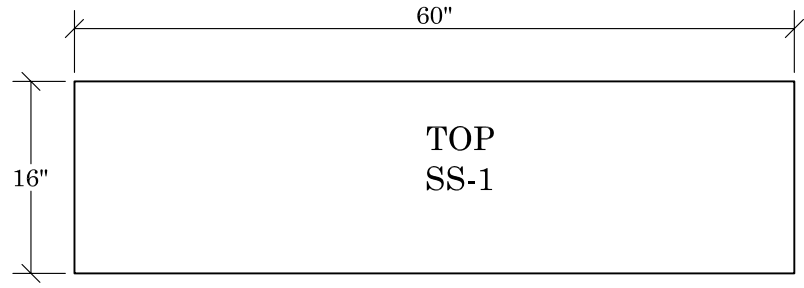
NOTE:
 PLYWOOD BASE WITH UNFINISHED TOE KICK

ICON POS
 POS 16-54601

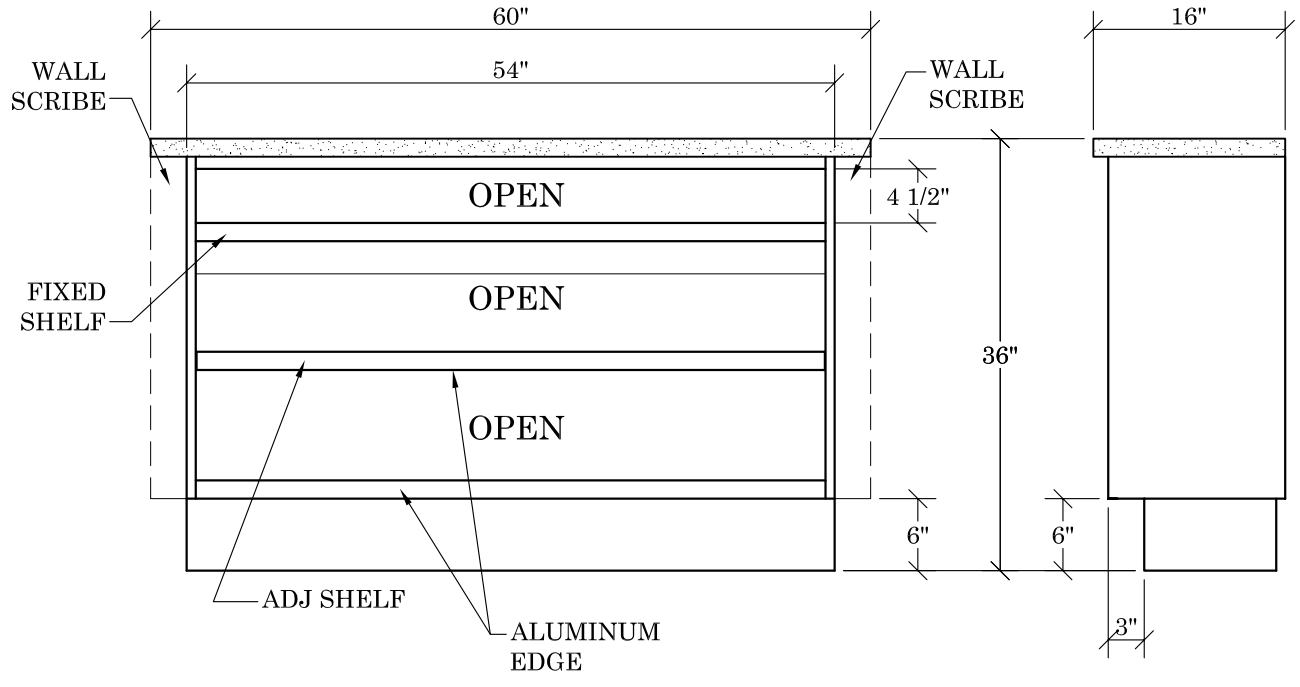
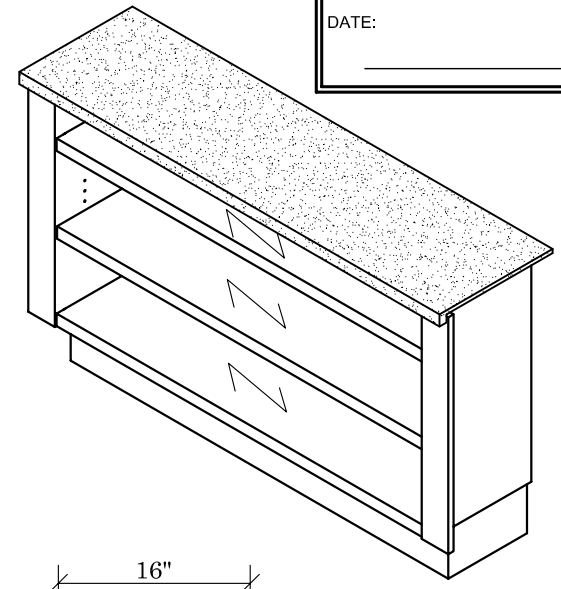
APPROVED BY: _____

NAME: _____

DATE: _____



TOP VIEW



ELEVATION

END

FINISH SCHEDULE:
SS-1: SOLID SURFACE (CORIAN AZURE)
PL-1: SCANDIA MAPLE PLAM
HARDWARE SCHEDULE:
LINEBORING WITH PINS