

Merric File Location:

MOMENTUM PODIUM

FINISHES:

SS-1 SAMSUNG STARON
ASPEN SKY

PL-5 WHITE MELAMINE

PL-10 PEARL BISQUE D485-07
PL-12 BLUE LIRI PLAM
PLYWOOD BASE W/ BLACK VINYL
STRAIGHT BASE - FIELD APPLIED

PL-10 FOR ALL EXPOSED SURFACES
NOT NOTATED

ML-1 COPPER PLAM

HARDWARE

LINE BORING W/ METAL
SHELF PINS

PODIUM COMES WITH
1 ADJUSTABLE SHELF

Project:

MOMENTUM PODIUM

APPROVED BY:

NAME:

DATE:

D06

This document, including all information contained herein, is the exclusive and confidential property of Merric, Inc. The document and information are not to be copied, reproduced, or delivered to others, in whole or in part, without the expressed written permission of Merric, Inc. The document is to be returned promptly to Merric, Inc. after having served the purpose for which delivered.

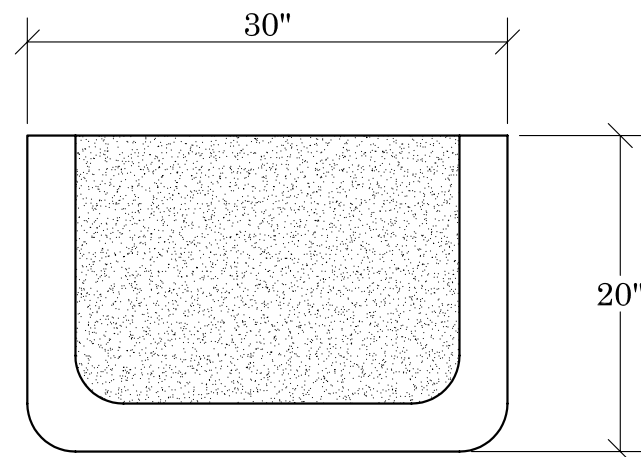
| Scale: | Revision No. | Revision Date |
|--------------|--------------|---------------|
| 1" = 1' - 0" | | |

| Drawn By: | Initial Date: |
|-----------|---------------|
| GK | 02/10/10 |

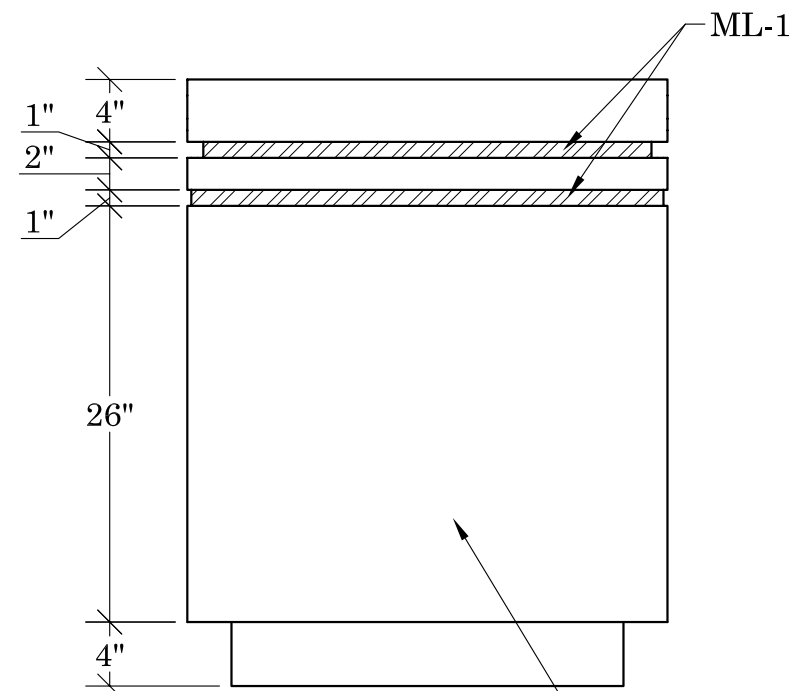
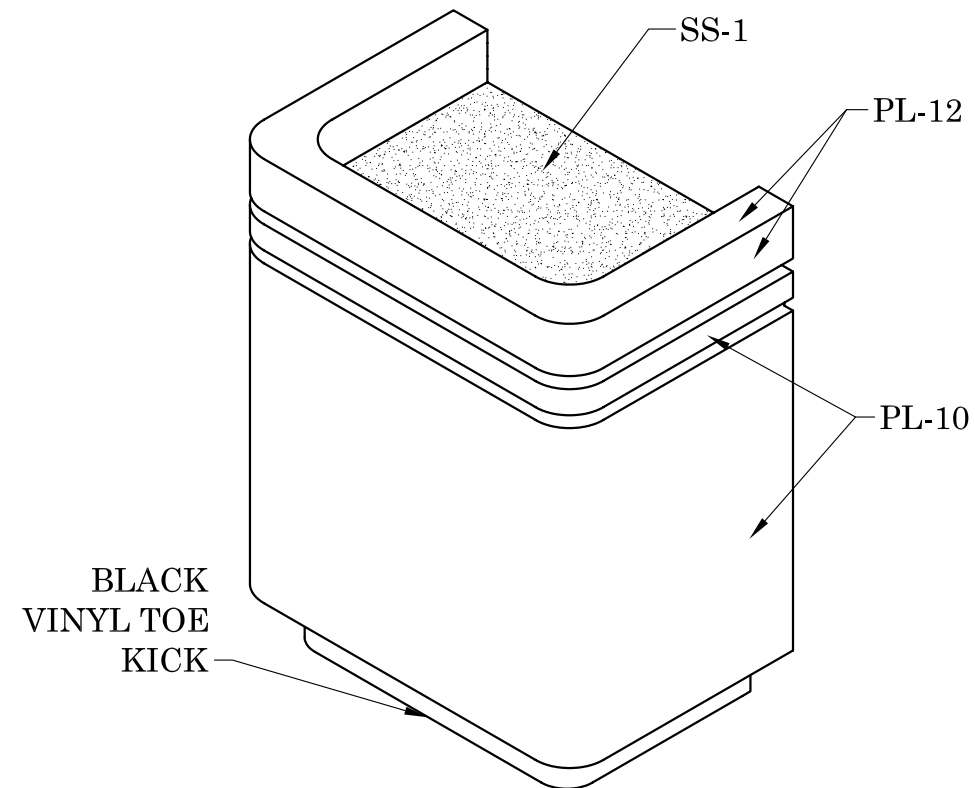
| Engineering: | Date: | PM: |
|--------------|-------|-----|
| MV | | |

MERRIC SEATING

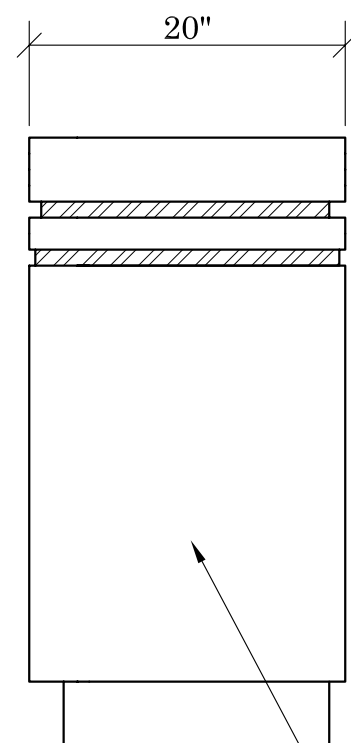
4750 Earth City Expressway - Bridgeton, Missouri 63044
Phone: (314) 770-9944 / Fax: (314) 770-1440



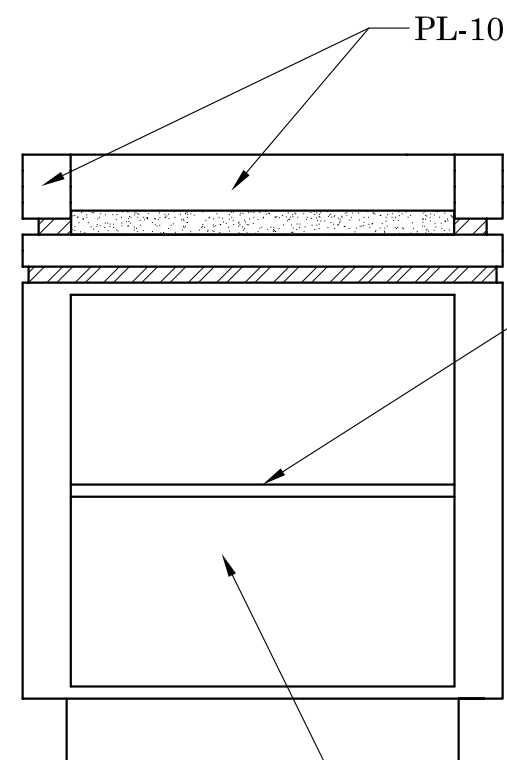
TOP



FRONT



SIDE



REAR