

Merric File Location:

### IHOP MOMENTUM

FINISHES:

PL-10 PEARL BISQUE PLAM

ML-1 COPPER PLAM

UNFINISHED PLYWOOD  
TOE KICK

HARDWARE

RECESSED HINGES  
RECESSED BLACK PULLS

Project:

**MOMENTUM HOSTESS  
IHOP STOCK**

APPROVED BY:

NAME:

DATE:

**D01**

Revision No.    Revision Date

Revision No.    Revision Date

Scale:  
1" = 1' - 0"

Revision No.    Revision Date

Drawn By:

GK

Initial Date:

05/03/10

Engineering:

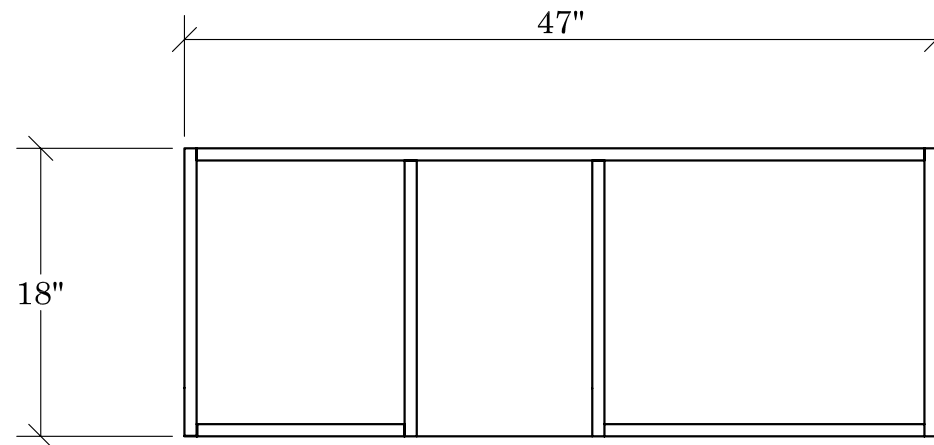
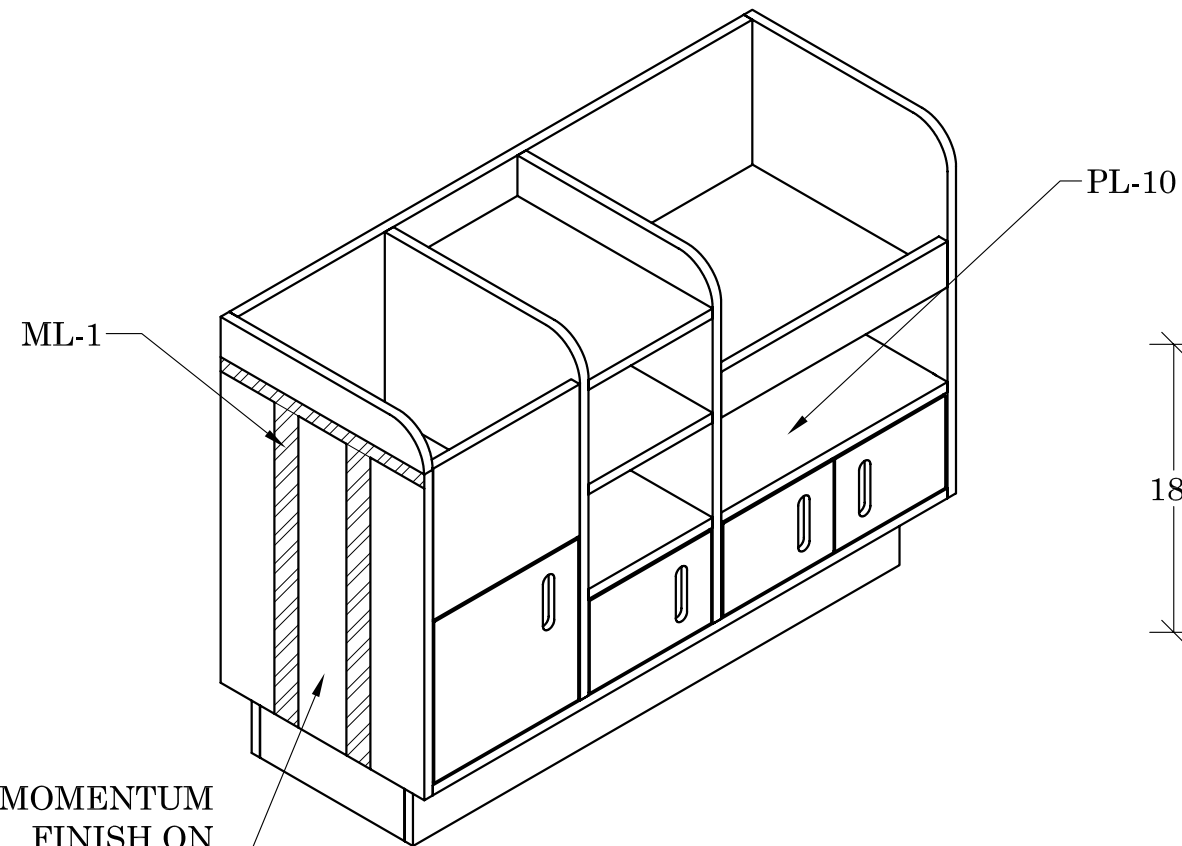
MV

Date:

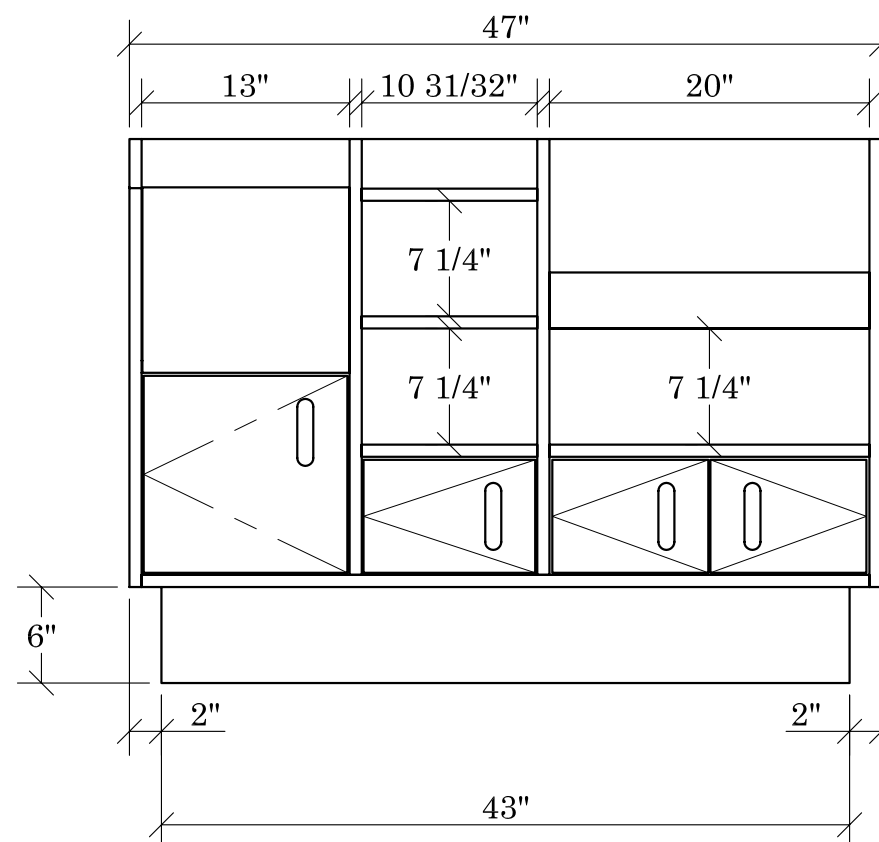
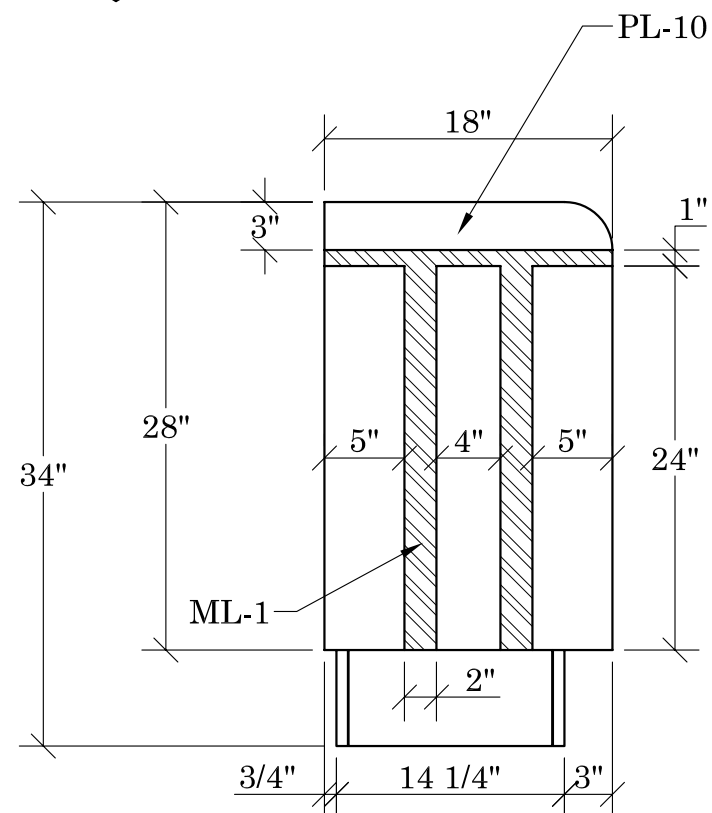
PM:

# MERRIC SEATING

4750 Earth City Expressway - Bridgeton, Missouri 63044  
Phone: (314) 770-9944 / Fax: (314) 770-1440



MOMENTUM  
FINISH ON  
BOTH ENDS



1

## 47" MOMENTUM HOSTESS