

This document, including all information contained herein, is the exclusive and confidential property of Merric, Inc. The document and information are not to be copied, reproduced, or delivered to others, in whole or in part, without the prior written consent of Merric, Inc. The document is to be returned promptly to Merric, Inc. after having served the purpose for which delivered.

PROJECT NO.	DATE	REVISED	BY
E:/AA-ENCATALOG			
PROJECT NO.	DATE	REVISED	BY
1 of 1			

MERRIC CATALOG NUMBER
BUS2048

MERRIC CATALOG NUMBER
BUSSING
 20" X 48"

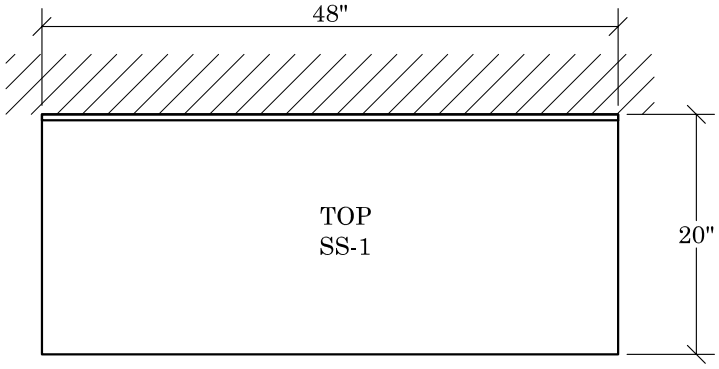
NOTE:
 PLYWOOD BASE WITH UNFINISHED TOE KICK

BUSSING CABINET
 BUS2048

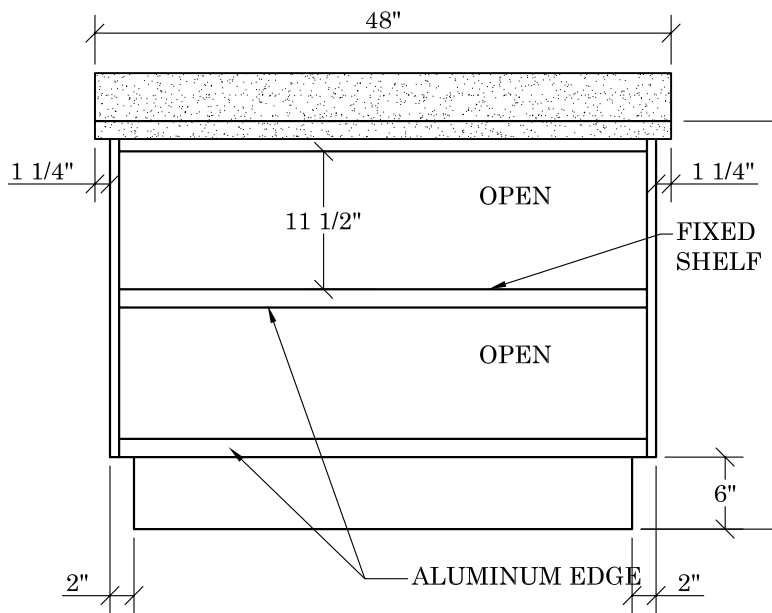
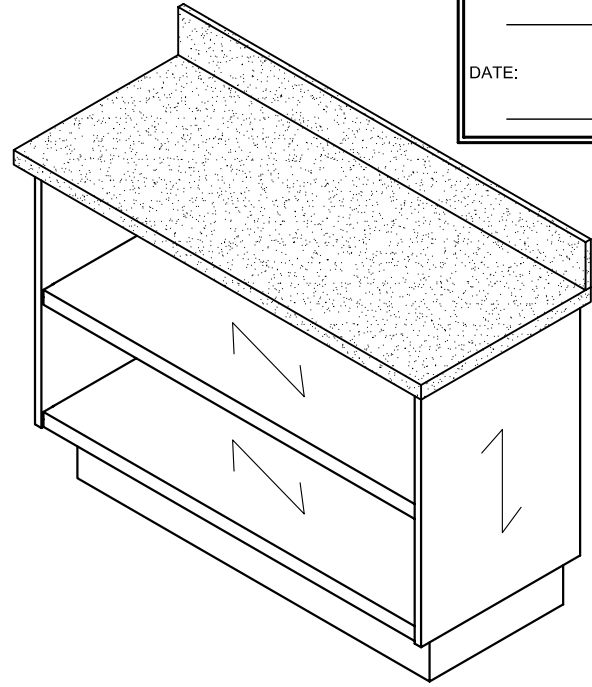
APPROVED BY: _____

NAME: _____

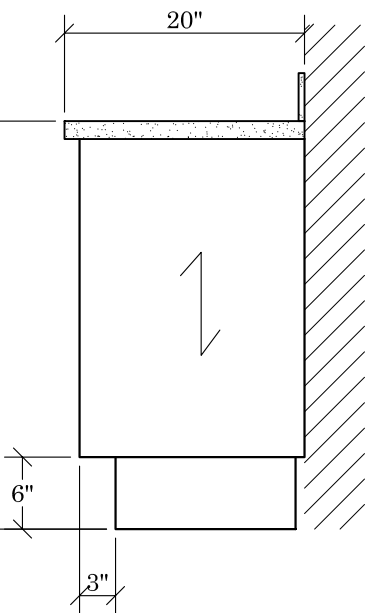
DATE: _____



TOP VIEW



CUSTOMER SIDE



SERVER SIDE

FINISH SCHEDULE:

SS-1: SOLID SURFACE
 (CORIAN AZURE)

PL-1: SCANDIA MAPLE PLAM

HARDWARE SCHEDULE: